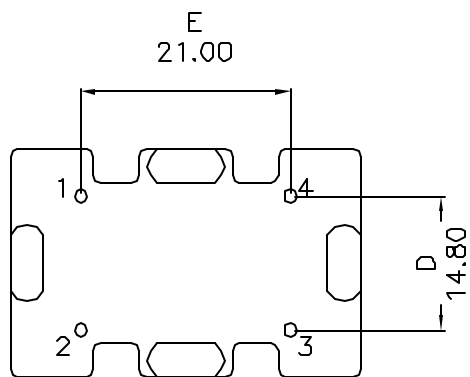
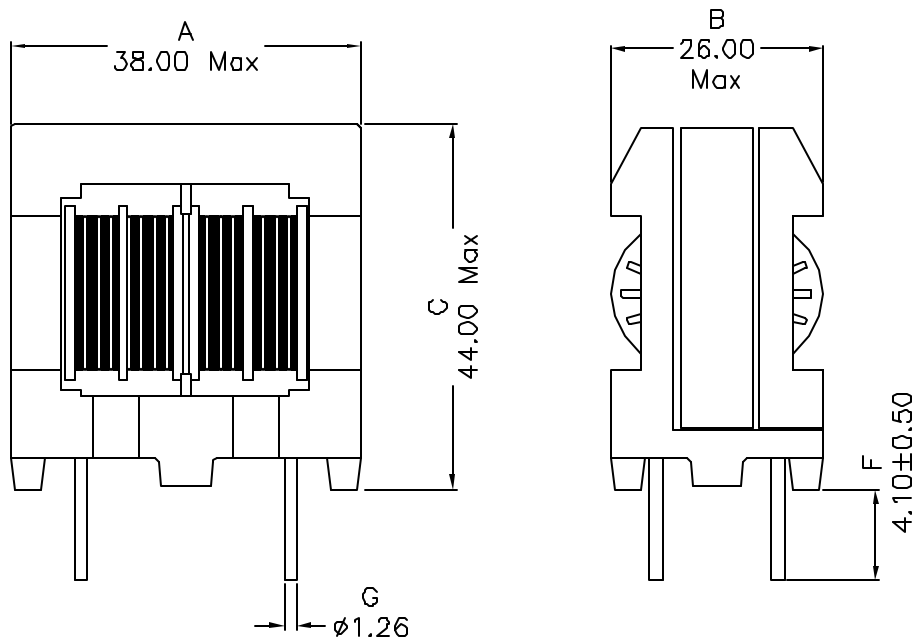


### 1. Mechanical Dimensions:

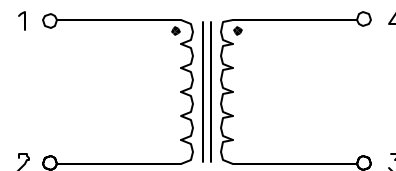


BOTTOM VIEW

Marking: (on TOP)

XFMRS YYWW  
 XFO153-3501

### 2. Schematic:



### 3. Electrical Specifications:

OCL: 15mH Min @10KHz, 0.1V Each Wdg

Q: tbd Min @10KHz, 0.1V Each Wdg

DCR: 0.161 Ohms±20%

IDC: 2.0Arms Max

HIPOT: 2500Vac Wdg to Wdg

Notes:

1. Solderability: Leads shall meet MIL-STD-202, Method 208D for solderability.
2. Flammability: UL94V-0
3. ASTM oxygen index > 28%
4. Insulation System: Class F 155°C. UL file E151556
5. Operating Temperature Range: All listed parameters are to be within tolerance from -40°C to +85°C
6. Storage Temperature Range: -55°C to +125°C
7. Aqueous wash compatible
8. SMD Lead Coplanarity: ±0.004"(0.102mm)
9. Moisture Sensitivity: Level 2

XFMRS Inc	Title: COMMON MODE CHOKE		
	P/N: XFO153-3501		REV. A
UNLESS OTHERWISE SPECIFIED TOLERANCES: .xx ±0.25 Dimensions in mm	DWN.	Juan Mao	Sep-23-04
	CHK.	YK Liao	Sep-23-04
Scale 2:1 SHT 1 OF 1	APP.	J Ng	Sep-23-04

DOC. REV. A/1

**PROPRIETARY**

Document is the property of XFMRS Group & is not allowed to be duplicated without authorization.